

AQUABOX Systems[®]

THE ULTIMATE SOLUTION TO COLD WATER BOOSTING

DRIP TRAY

Ideal for catching drips and leaks for all Aquabox Systems Tanks.

PROUDLY BY

Southern Pumps Ltd



Tough impact resistant plastic, non-corrosive, durable and long-lasting



DRIP-TRAY

Product Specifications

Product Code: 103957

Description: SQUARE DRIP TRAY 810*810*120

Product Code: 12611

Description: AD34 DRIP TRAYS 1750*750*120

Weight (approx.)

Square Tray 1,960 grams

Rectangular Tray 4,220 grams

Performance (ABS)

Service Temperature: 0°C - 40°C* (indoors)

Indoor use only

Properties

High stiffness

Good impact

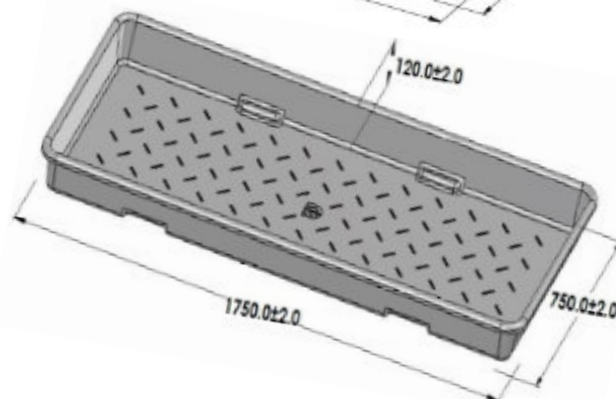
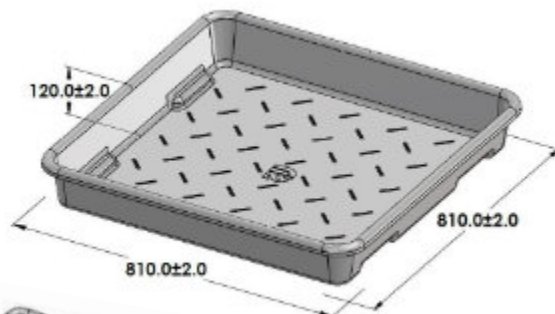
Tough and durable

Compatibility

Some chemicals, and process parameters, can adversely affect the integrity of the product. The buyer must undertake testing and approval for the product's suitability for the application.

Regulatory

Raw materials used are ROHS & REACH compliant.



Material

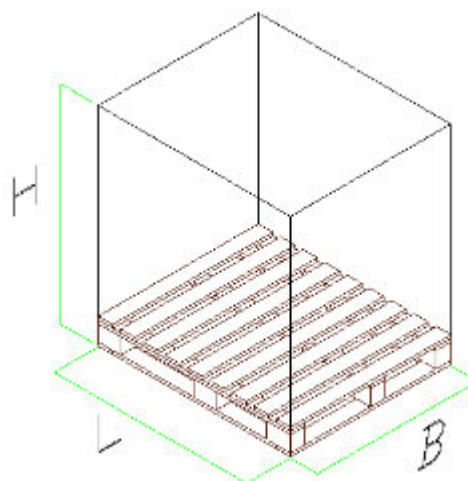
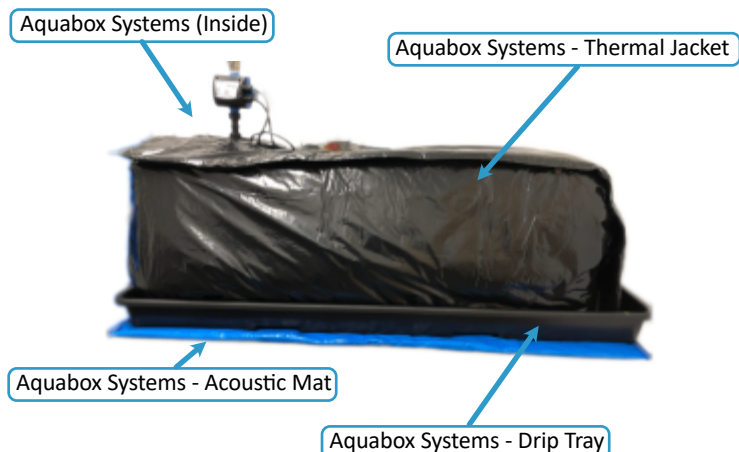
ABS (Recycled)

Decoration

Colours: BLACK

Palletisation

Pack Item	Quantity	Dimensions(mm)		
		L	B	H
Pallet	60	1200	1000	1750
Pallet	60	1800	800	1750



Standard tolerance of ±5%

*Special blends and additives available for non-standard conditions.

Specifications can be modified without notice; please contact your our representative to ensure you have the most recent information.