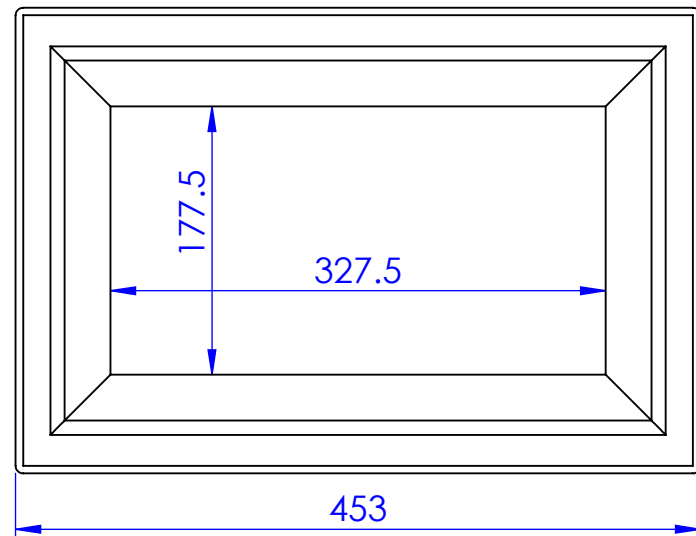
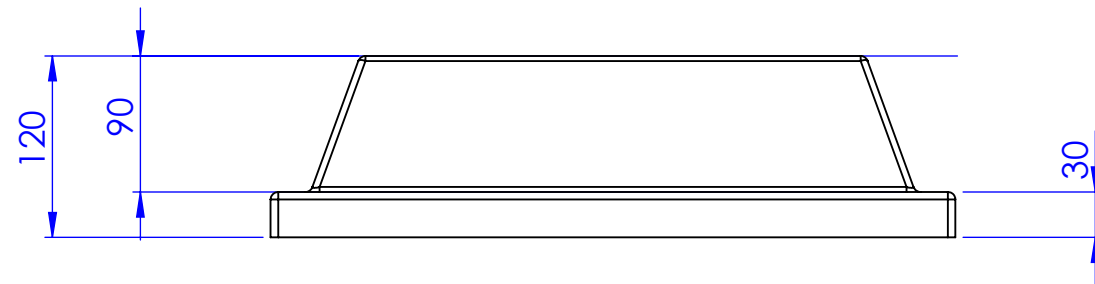
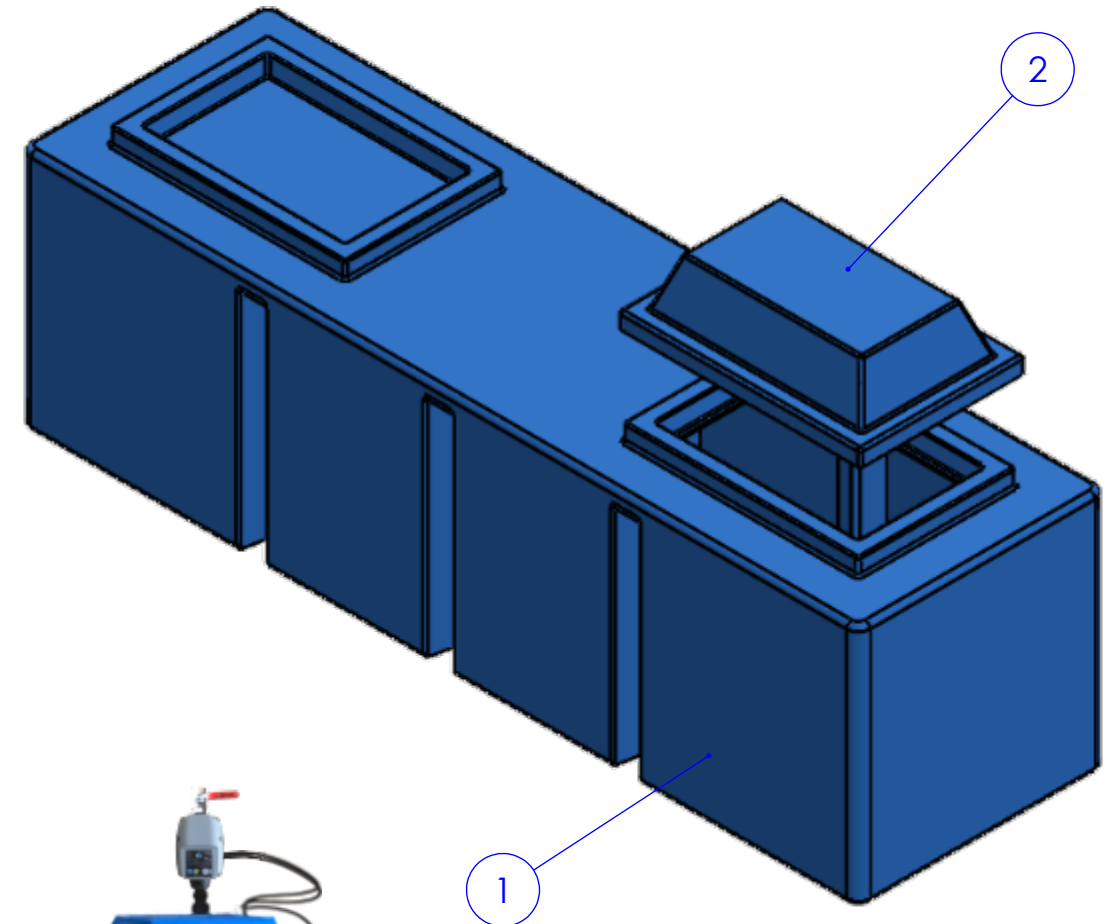
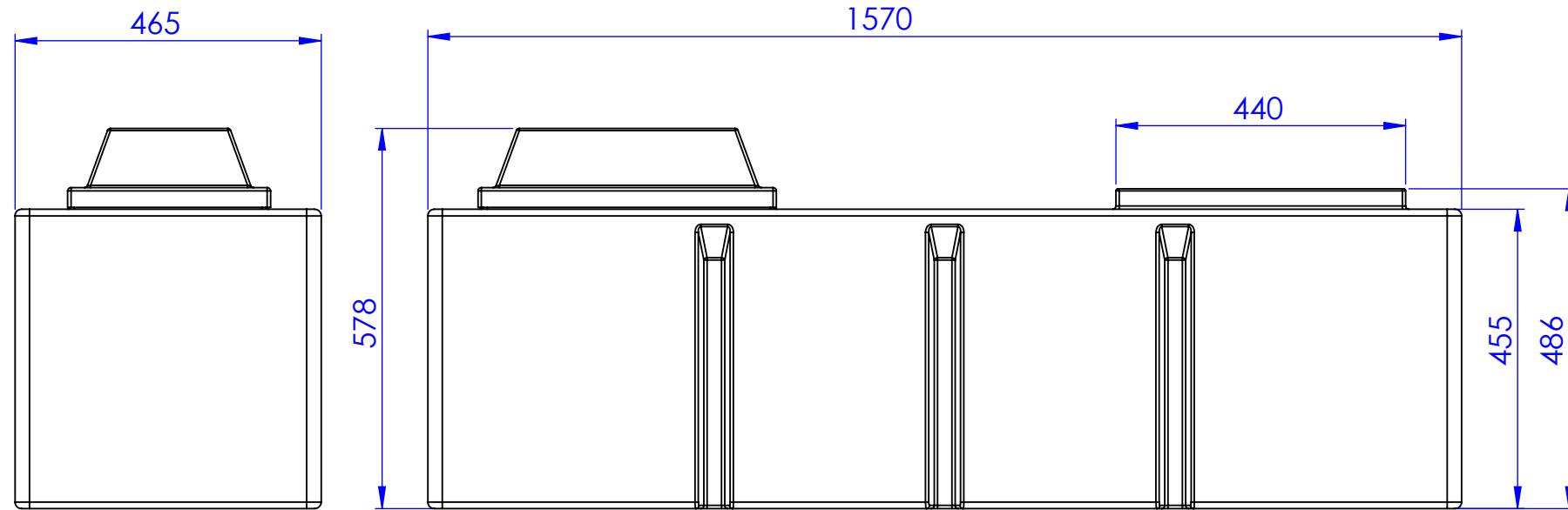


THE INFORMATION CONTAINED IN THIS DRAWING IS THE SOLE PROPERTY OF KINGSPAN WATER & ENERGY LTD. ANY REPRODUCTION IN PART OR WHOLE WITHOUT THE WRITTEN PERMISSION OF KINGSPAN WATER & ENERGY LTD. IS PROHIBITED.

AQUABOX Systems

The Ultimate solution to cold water boosting systems

ITEM NO.	PART NUMBER	DESCRIPTION	QTY.
1	1002739	AT70 TANK ONLY	1
2	1002740	AT70 DRK BLUE LID	1



UNLESS OTHERWISE SPECIFIED
DIMENSIONS ARE IN MM.
TOLERANCES ARE:
NO DECIMAL ±2
.X ±0.3 ANGLES
.XX ±0.10 ±0° 30'

SCALE

MATERIAL **PEXYLENE 45939**


MASS (kg) **17**

CAD GENERATED DRAWING,
DO NOT MANUALLY UPDATE
3RD ANGLE PROJECTION
DO NOT SCALE DRAWING

DRAWN

DATE

APPROVED



AQUABOX Systems
The Ultimate solution to cold water boosting systems

AT70 DRK BLUE WRAS TANK + LID

SIZE A3 DRAWING NO. **1002742** REV.

IF IN DOUBT - **ASK.** SHEET 1 OF 1

Please Check with Kingspan Water & Energy Ltd For The Latest Issue Of This Drawing

REV.	DESCRIPTION	DATE	DRAWN BY