

SOUTHERN PUMPS LTD

Dublin Hill Cork



FORAS SERVOPRESS

3 Bar Booster Pump



CE

Foras Servopress

Booster Set Pump



FEATURED HIGHLIGHTS

- High efficient flow rate.
- Self priming.
- Senses a drop in pressure in the system.
- Ability to pump liquids saturated with gases.
- Automates the start and stop operations of an electric pump
- Safety valve to prevent water leakage if membrane is damaged.
- ensures constant water pressure .
- Starting pressure adjustable during installation.
- Protection against dry running.
- An automatic pressure regulator.
- No maintenance required on controller.

APPLICATIONS (Medium)

Domestic & Residential Water Supply Pressurizing Irrigation Heating & Air conditioning



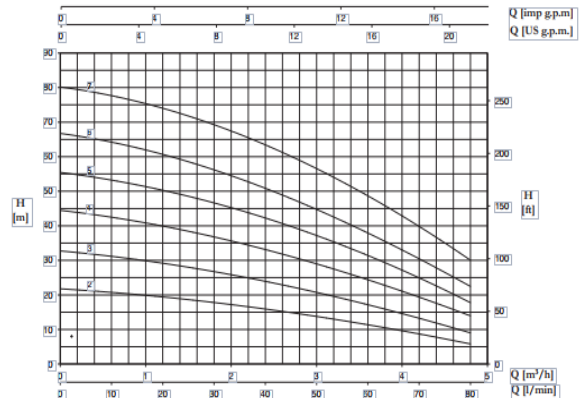
The Foras Servopress is a plug and play solution, Mono bloc horizontal multistage centrifugal pump with 1" threaded connections.

Ideal for non-loaded fluid pumping; pressurisation systems; irrigation; drinking or glycol water; water treatment; food industry; heating and air conditioning; washing systems.

Controller is CE Certified, IP65 Rated Electronic part complies with European EMC regulations and has a low electronic interference

Pump

Pump body: Stainless steel AISI 304
Motor bracket: Aluminum
Impellers, diffusers and motor shaft: Stainless steel: AISI 304
 Mechanical seal: ceramic-graphite ≤ 6 impeller, graphite-silicon carbide ≥ 7 impeller
Frequency: 50Hz
2 Pole induction motor:
 - 3 phase: 230V/400V
 - 1 phase: 230V with thermal protection up to 1.85kw.
Operating pressure: max 3.2 bar
Liquid max temp: 50°C
Insulation class: F.
Protection: IP44.



ORDERING INFORMATION

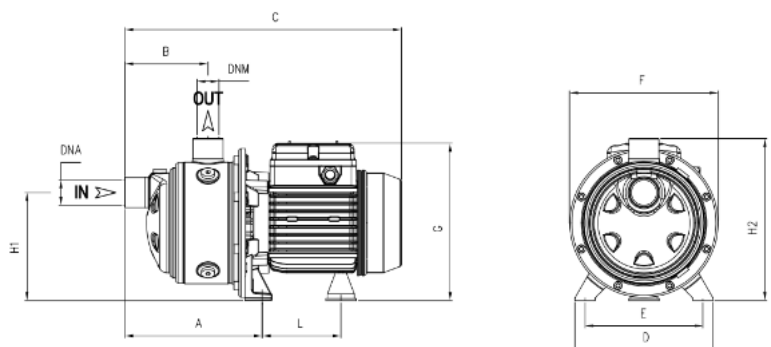
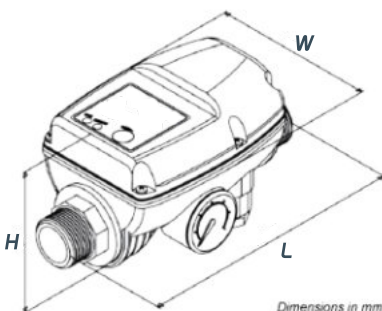
Model	m ³ /h (min)	m ³ /h (max)	Head (Qmin)	Head (Qmax)	Bar	kW	HP	Volt	Phase
Foras Servopress									
1172	0.6	4.8	9	31.2	3	0.51	0.70	230V / 50Hz	1

Controller

- Weight: 0.6 kg

- Dimensions (L x W x H): 190 x 105 x 70 mm.

TYPE	DIMENSIONS (mm)											Kg	
	A	B	C	D	E	F	G	L	H1	H2	DNA		DNM
P3-70/3	166.8	103	333	164	140	178	190	93.7	128	192			7



Note: The data given in the brochure do not represent any warranty technological progress.