

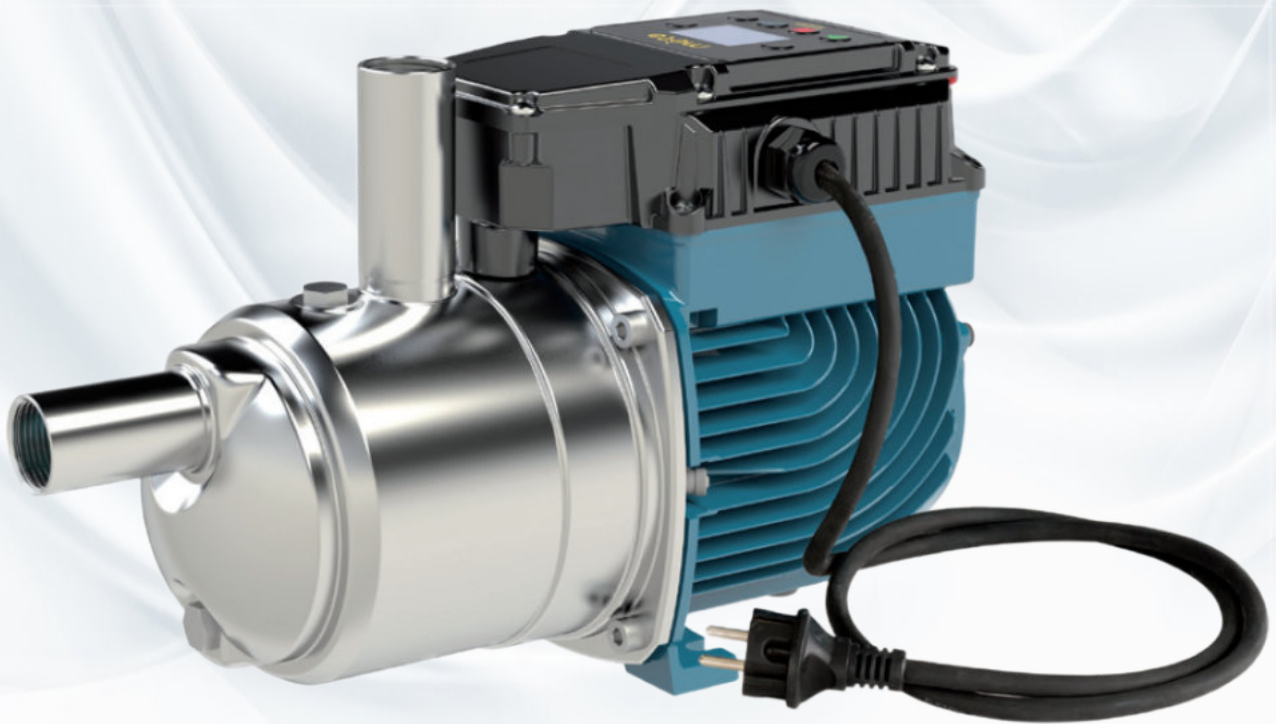
SOUTHERN PUMPS LTD

Dublin Hill Cork

New!

MÉTA small

Booster Pump

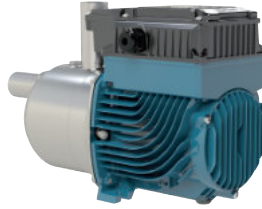
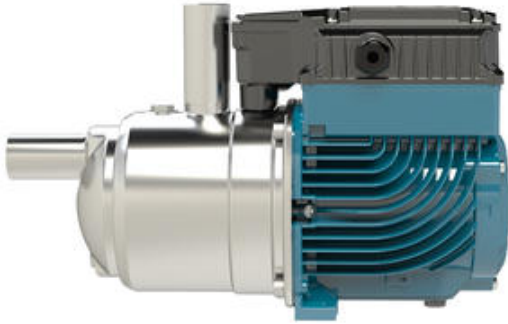


CE



MÉTA small

Booster Pump



FEATURED HIGHLIGHTS

- Noise level below 50 dB(A)
- Integrated frequency converter
- Built-in pressure vessel
- High efficiency asynchronous motor
- Motor power control
- Programmable re-start pressure
- No hydraulic losses due to the measuring devices
- Voltage and current control
- Monitoring of maximum starting current
- Dry Protection
- Detects the presence of air in the pump casin
- Overload control and overheating motor control
- Detects small leakages in the system

APPLICATIONS (Small)

- Water Supply
- Domestic & Residential
- Civil
- Agriculture & Irrigation



META small Booster Pump is a plug and play solution, the pump is equipped with an integrated pressure transducer, an integrated check valve and a built-in pressure vessel. Self-priming booster pump with built in frequency converter.

The Vsd controls the start and stop of the pump and allows to keep a constant pressure.

CE Approved product.

Motor

2-pole induction motor.
 Nominal speed 4500rpm
 Motor: variable speed
 Frequency: 50Hz
 Single-phase 220-240V~50Hz/220V~60Hz,
 with thermal protector.
 Cable: H07RN8-F, 3G1,5 mm2,
 length 1,5 m, with plug
 CEI-UNEL 47166.
 Insulation class F.
 Protection IPX4.
 Constructed in accordance with:
 EN60034-1; EN60335-1, EN60335-2-41



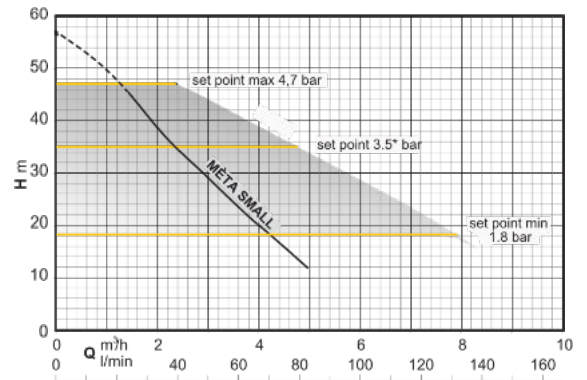
Energy saving

400Wh

Energy Efficiency Index

EEl 0.46

variable speed



ORDERING INFORMATION

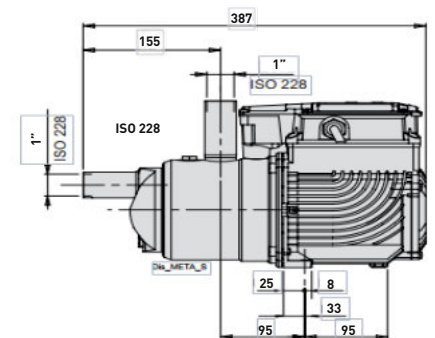
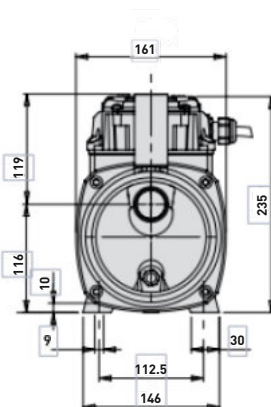
* Factory settings

Model	Manifold	m ³ /h (min)	m ³ /h (max)	Head (Qmin)	Head (Qmax)	Bar	kW	HP	Volt	Phase
META small 00000	-	-	5	-	35	3.5	0.65	0.87	220-240	1

UISCEflo mini Booster Set



Available



Note: The data given in the brochure do not represent any warranty technological progress.